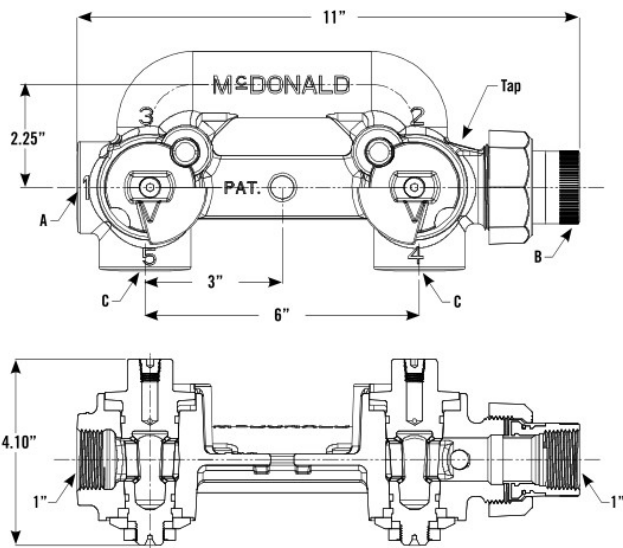


Bypass Meter Bars - 6410 Series

HORIZONTAL INLET & OUTLET - 2 INTEGRAL VALVES - 5 PSIG - NO ATTACHED SWIVELS

These bars are designed for use with natural, manufactured and L.P. gas only.

Residential Meter Application



COATINGS AVAILABLE

- 6410- Black Iron
 - 6410G Zinc Coated w/Clear Chromate Finish Iron
 - 6410P Paint Coated
 - 6410H Zinc & Painted
- Taps available on all the above product options.

DIMENSIONS

Centerline	A FNPT Inlet	B FNPT Union	C Swivel Tap Size
6"	3/4" or 1"	3/4" or 1"	3/4" or 1"

High security lock design integral valve

With Relube Valve - This A.Y. McDonald Gas Valve may be re-lubricated in the full open or full closed position when the valve is pressurized or un-pressurized. See page 14.

For other bypass valve options see pages 22-34.

Bypass Meter Bars

IT'S ABOUT TIME! Bypass Systems that Make Sense.

Full Flow Even in Bypass Mode

- No interruption in service or reduction in flow capacity.
- No loss of pilot lights.
- Scheduling, re-lights, and associated cost are a thing of the past.
- Meter change-outs can be performed anytime, 12 months a year.

Safe - Fast - Secure

- No need for additional hoses, regulators, bottles, or any special tools.
- Your gas supply is always ready & regulated to the correct pressure.
- A few turns of the valves and your Bypass is complete.
- Industry proven locking design for theft protection.
- Performance testing proven at **gti**.



See our video on website for operation of the Bypass meter bar.

6410 Residential Meter Bar

It is about time, and time is money. If you want a real return on your investment \$\$, call us today for more information.